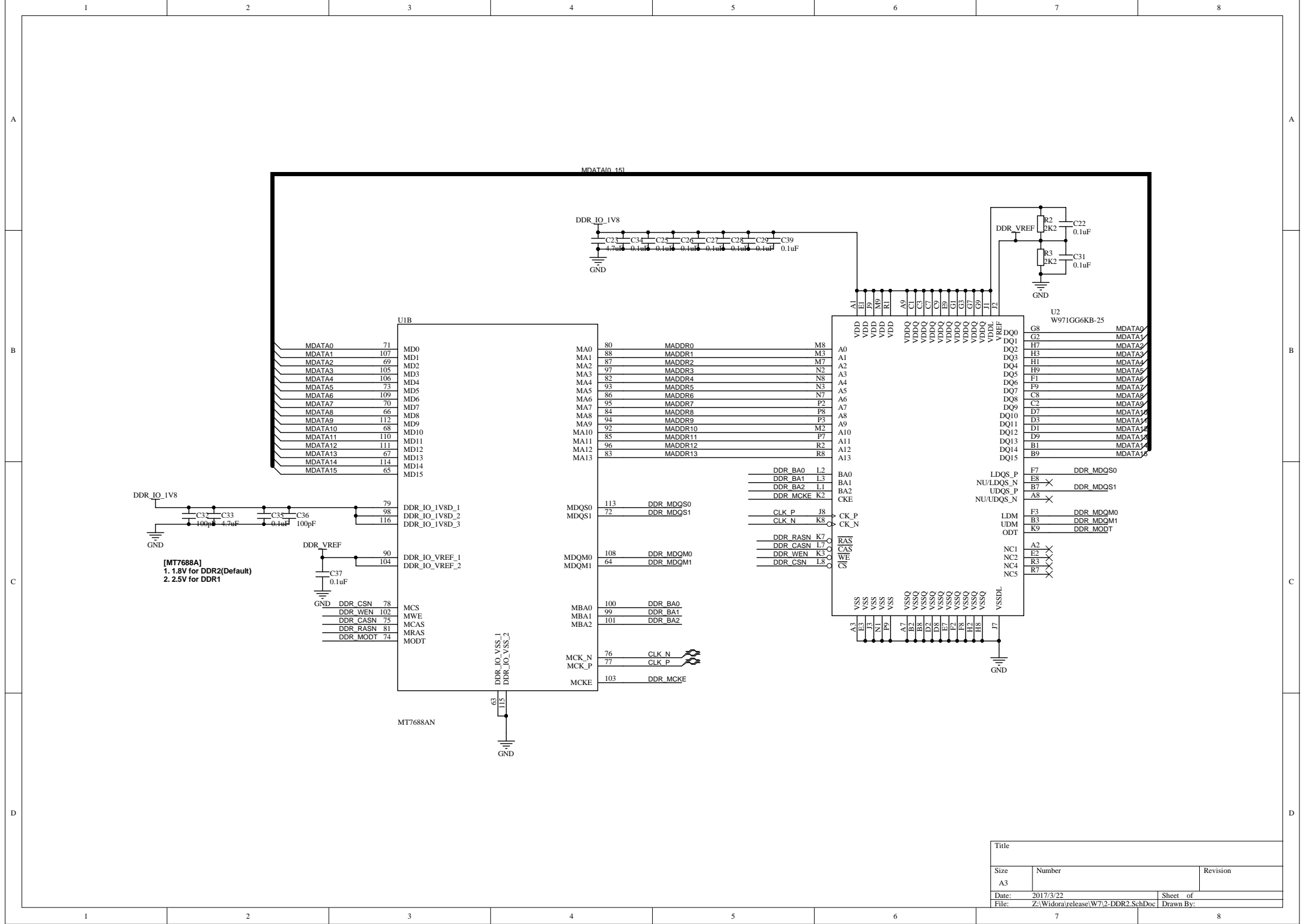
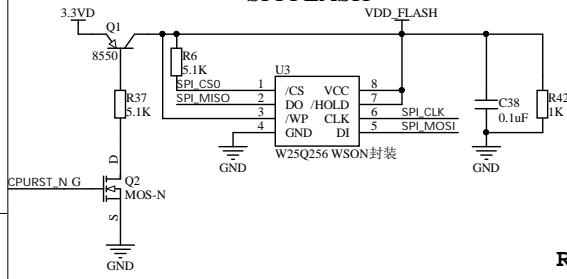


Title		
Size	Number	Revision
A3		
Date:	2017/3/22	Sheet of
File:	Z:\Widora\release\W7\1-RF.SchDoc	Drawn By:



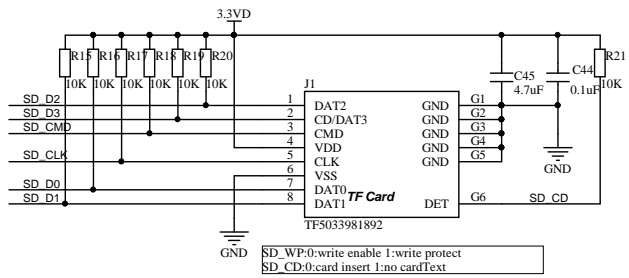
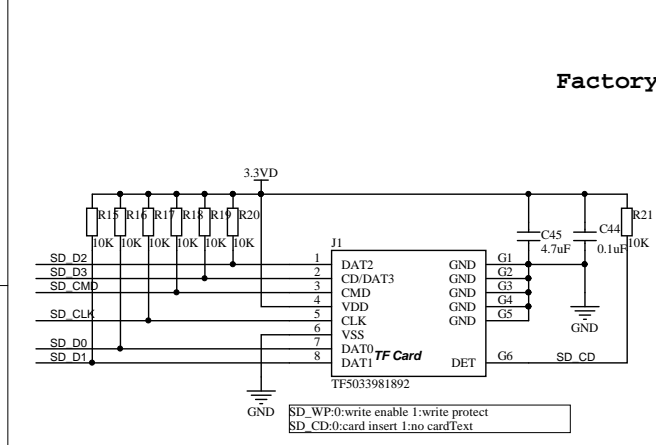
Title		
Size	Number	Revision
A3		
Date:	2017/3/22	Sheet of
File:	Z:\Widora\release\W7\2-DDR2_SchDoc	Drawn By:

### SPI FLASH

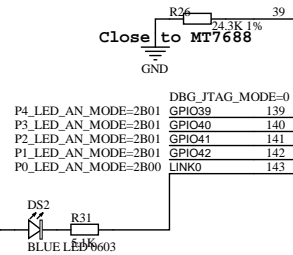
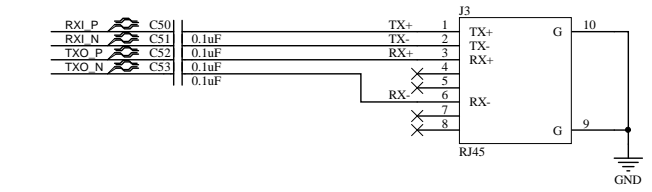
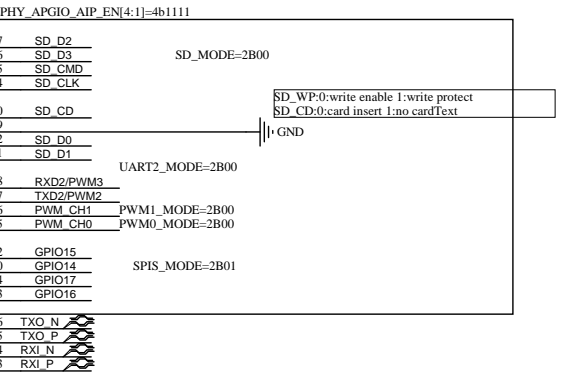
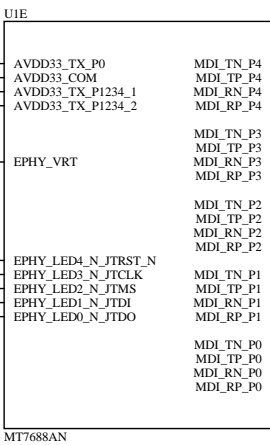
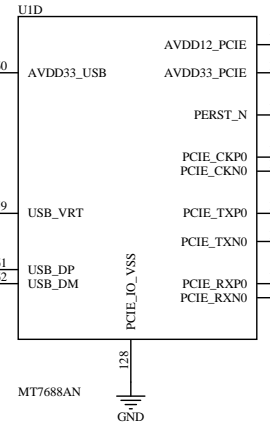
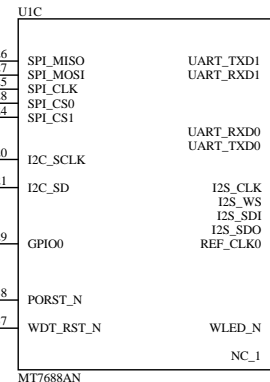
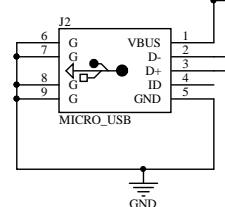


### Reset

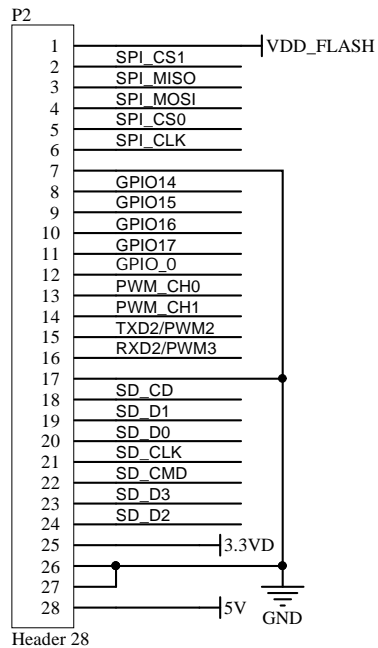
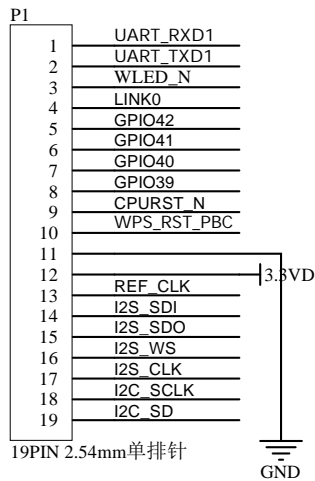
### Factory



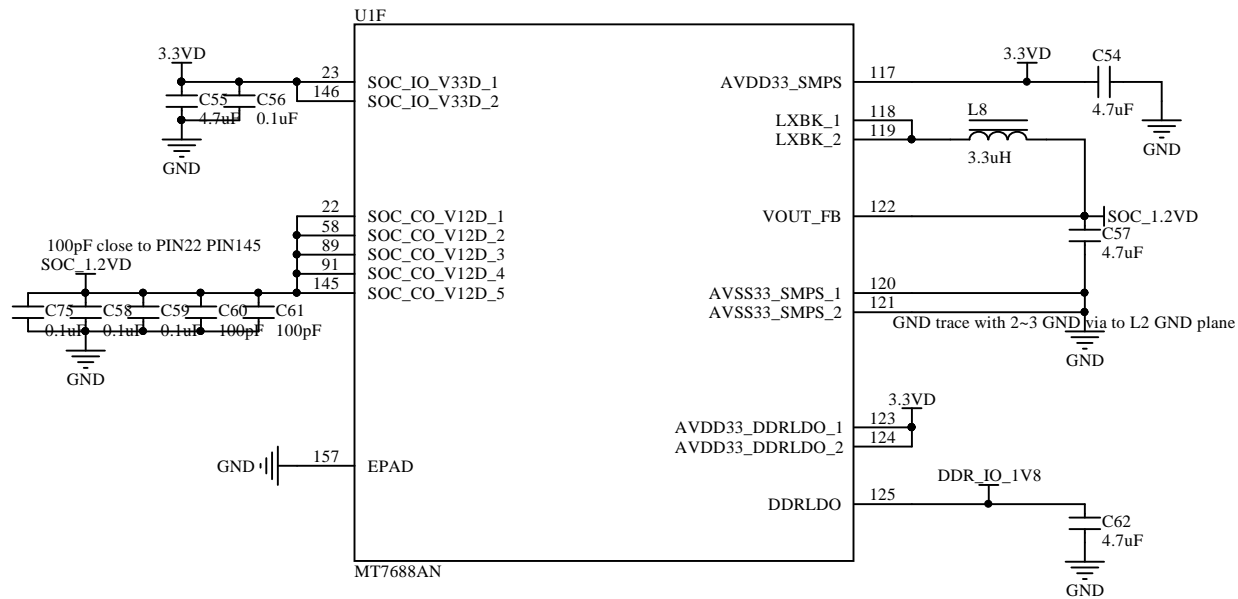
SD\_WP:0:write enable 1:write protect  
SD\_CD:0:card insert 1:no cardText



Title		
Size	Number	Revision
A3		
Date:	2017/3/22	Sheet of
File:	Z:\Wdora\13-Peripheral.SchDoc	Drawn By:

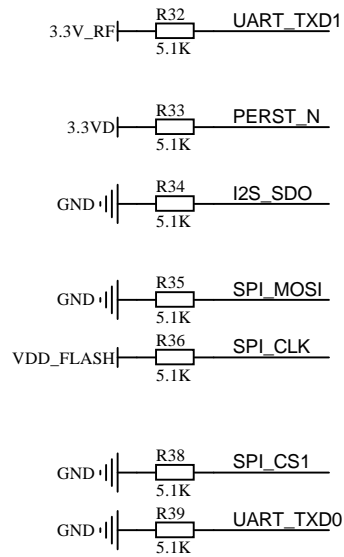


Title		
Size	Number	Revision
A		
Date:	2017/3/22	Sheet of
File:	Z:\Widora\release\W74-Expand.SchDoc	Drawn By:



[MT7688AN-IOT] 1. 1.8V for DDR2 2. 2.5V for DDR1 configured by SW

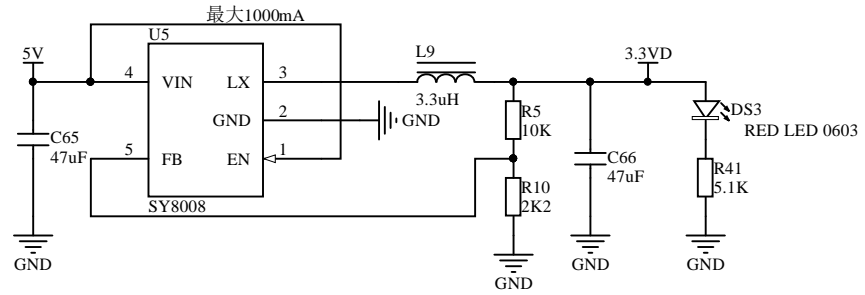
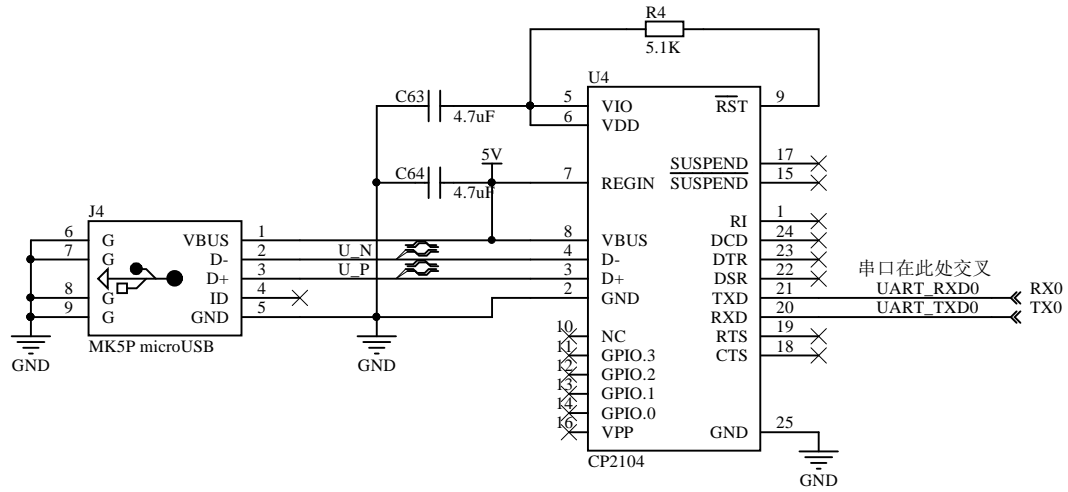
Title		
Size	Number	Revision
A4		
Date:	2017/3/22	Sheet of
File:	Z:\Widora\release\W7\5-PMU.SchDoc	Drawn By:



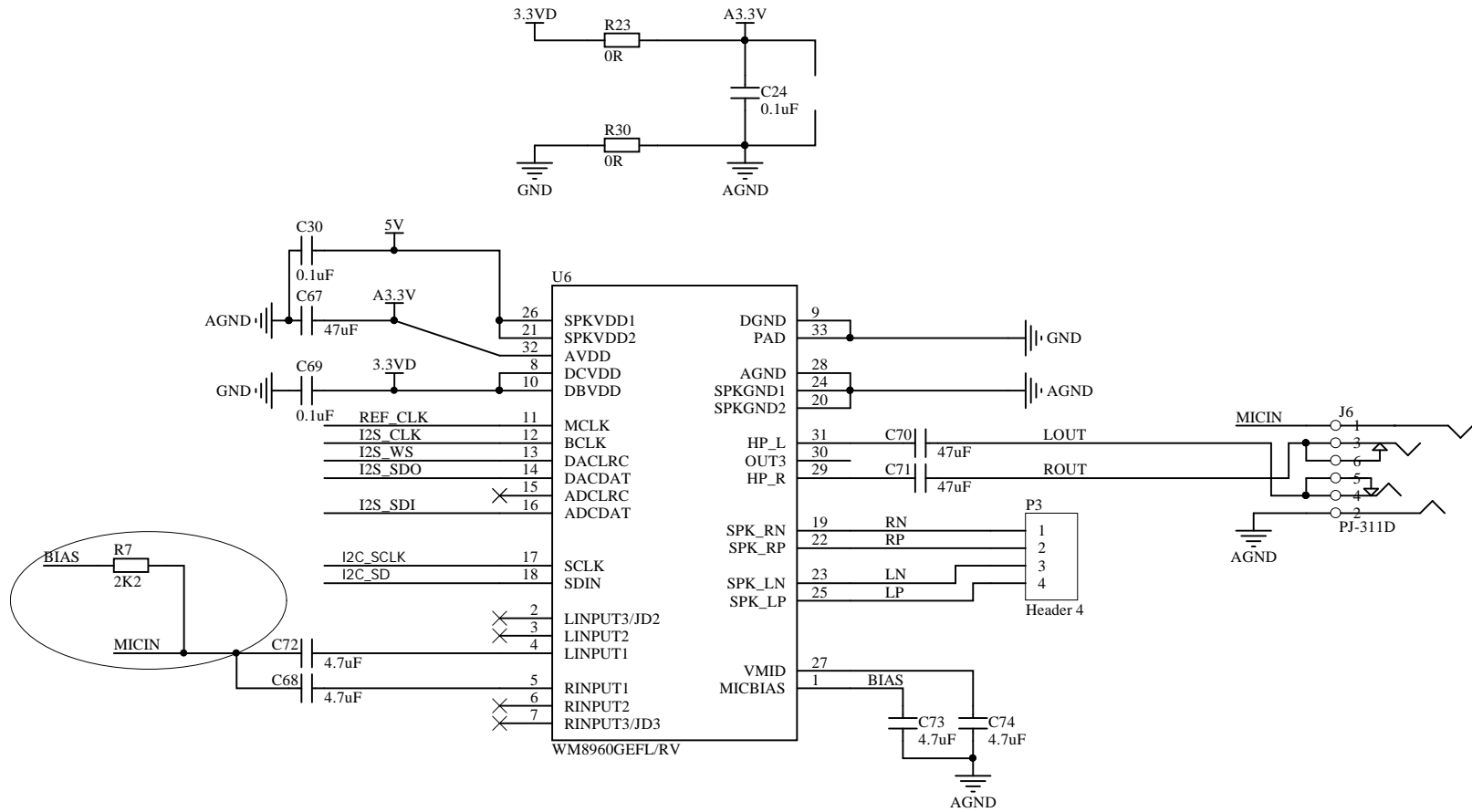
### Bootstrapping Pins Description

Pin Name	Boot Strapping Signal Name	Description
UART_TXD1	DBG_JTAG_MODE	0: JTAG_MODE 1: EPHY_LED (default)
PERST_N	XTAL_FREQ_SEL	0: 25 MHz DIP 1: 40 MHz SMD
I2S_SDO	DRAM_TYPE	1: DDR1 0: DDR2 [note] This pin is valid for MT7628AN only. It needs to be pull-low for 7628KN which only supports DDR1.
{SPI_MOSI, SPI_CLK, SPI_CS1}	CHIP_MODE[2:0]	A vector to set chip function/test/debug modes. 000: Boot from PLL (boot from SPI 3-Byte Addr) 001: Boot from PLL (boot from SPI 4-Byte Addr) 010: Boot from XTAL (boot from SPI 3-Byte Addr) 011: Boot from XTAL (boot from SPI 4-Byte Addr)
PAD_TXD0	EXT_BGCK	1: Test Mode 0: Normal (default)

Title		
Size A4	Number	Revision
Date: 2017/3/22	Sheet of	
File: Z:\Widora\release\W7\6-CONFIG.SchDp	Drawn By:	



Title		
Size	Number	Revision
A4		
Date:	2017/3/22	Sheet of
File:	Z:\Widora\...\7-POWER-USB2TTL.SchDoc	Drawn By:



Title		
Size	Number	Revision
A4		
Date:	2017/3/22	Sheet of
File:	Z:\Widora\release\W7\8-AUDIO.SchDoc	Drawn By: